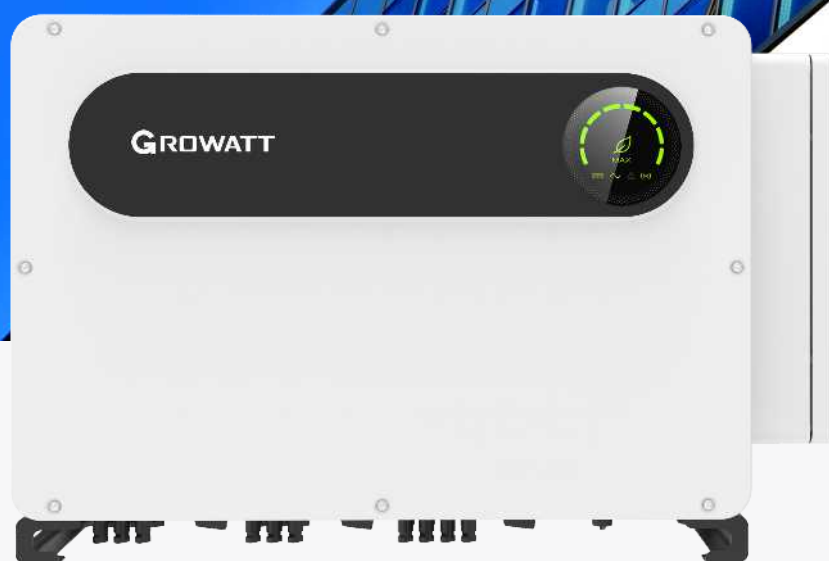
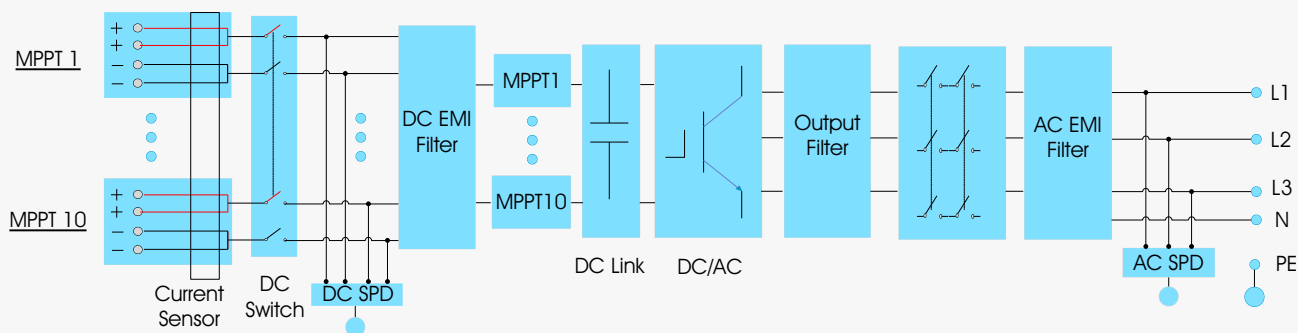


MAX 124~150KTL3-X MV

- 10 MPPTs fusefree design
- Smart I/V scan and diagnosis
- Intelligent string monitoring
- AC&DC type II SPD
- IP66 protection



Topology Diagram



Primary Specification

Datasheet	MAX 124KTL3-X MV	MAX 125KTL3-X MV	MAX 136KTL3-X MV	MAX 150KTL3-X MV
Input data (DC)				
Max. recommended PV power (for module STC)	186000W	187500W	204000W	225000W
Max. DC voltage	1100V			
Start voltage	195V			
Nominal voltage	720V			
MPP voltage range	180V-1000V			
No. of MPP trackers	10			
No. of PV strings per MPP tracker	2			
Max. input current per MPP tracker	32A			
Max. short-circuit current per MPP tracker	40A			
Output data (AC)				
AC nominal power	124000W	125000W	136000W	150000W
Max. AC apparent power	136400VA	137500VA	150000VA	165000VA
Nominal AC voltage(range*)	277V/480V 408-528VAC			
AC grid frequency (range*)	50/60 Hz (45~55Hz/55-65 Hz)			
Max. output current	164.1A	165.4A	179.9A	198.5A
Adjustable power factor	0.8leading ...0.8lagging			
THDI	<3%			
AC grid connection type	3W+PE			
Efficiency				
Max. efficiency	99.00%			
European efficiency	98.50%			
MPPT efficiency	99.90%			
Protection devices				
DC reverse polarity protection	Yes			
DC switch	Yes			
AC/DC surge protection	Type II / Type II			
Insulation resistance monitoring	Yes			
AC short-circuit protection	Yes			
Ground fault monitoring	Yes			
String detection	Yes			
Anti PID function	Opt			
Arc fault detection (AFCI)	Opt			
General data				
Dimensions (W / H / D)	970/640/345mm			
Weight	84kg			
Operating temperature range	-30°C ... +60°C			
Nighttime power consumption	< 1W			
Topology	Transformerless			
Cooling	Smart Cooling			
Protection degree	IP66			
Relative humidity	0~100%			
Altitude	4000m			
DC connection	H4/MC4			
AC connection	OT Terminal connectors (Max. 240mm ²)			
Display	LED/WIFI+APP			
Interfaces: RS485 / USB /PLC	Yes/Yes /Optional			
Warranty: 5 years / 10 years	Yes /Optional			
CE, IEC62116, IEC61727, ROHS, UL1741, IEEE1547				

* The AC voltage range and frequency range may vary depending on specific country grid standard.
All specifications are subject to change without notice.